



“Designed with Safety and comfort in mind”



	Child Safe solutions	Other safety features
Duette® Shades	SmartCord®, LiteRise®, motorization, tensioned models, handle control, crank operation	Chain tensioner, cord cleat, cord connector
Plissé Shades	LiteRise®, motorization, tensioned models, handle control, crank operation	Chain tensioner, cord cleat, cord connector
Venetian Blinds	Motorization, tensioned models, handle control, crank operation	Chain tensioner, cord cleat, cord connector
Roller Blinds	LiteRise®, motorization, Softraise, Nano Blinds, crank operation	Chain tensioner
Twist® Roller Blinds	Motorization, crank operation	Chain tensioner
Silhouette® Shades	UltraLift™, motorization, PowerRise®	Chain tensioner
Wood Blinds	Motorization, crank operation	Cord cleat, cord connector
Vertical Blinds	Motorization	Chain tensioner
Roman Shades	Motorization, click ring	Chain tensioner, cord cleat, cord connector
Skylight Blinds	Motorization, handle control, tensioned models, crank operation	
Facette® Shades		Chain tensioner



Visit your local **Luxaflex® dealer** where you can find all of the latest products. They will guide and advise you in making your decision. You can also find out about their measuring and fitting service, so your choice perfectly meets your needs.

luxaflex.com

# Child Safety

Window Styling: Designed with safety and comfort in mind



Designed by Luxaflex®. Inspired by you.

All rights reserved. Unauthorised copying is prohibited. Technical data subject to change without notice. No rights can be derived from copy, text pertaining to illustrations or samples. Subject to changes in materials, parts, compositions, designs, versions, colours etc., even without notice. \* Registered trademark. A HunterDouglas® product. © Copyright HunterDouglas® 2014, Edition 2014/1.



## Safe and easy operation

As children grow so does their curiosity with the world around them. Basic household items, including window coverings, can turn into potential hazards. At Luxaflex® we consider Child Safety a top priority. Making products safer for homes with infants and young children is an integral part of our design philosophy.

Luxaflex® is committed to adhering to the European EN 13120 standard (Internal Blinds Performance Requirements incl. safety) as a minimum safety requirement. We are continuously developing new products to help reduce the risk of accidents.

Due to the changes in the European standard, you might have noticed some changes to your blind. The standard operating length of most blinds with cord or chain operation, has been reduced to a maximum of 1 m to lower the risk of injuries on young children.

To learn more about the many Child Safety features we offer, visit your local Luxaflex® dealer who can provide you with expert advice or visit [www.luxaflex.com](http://www.luxaflex.com).

### General advice

Buyers and users of blinds should be aware of the hazards that can be posed by unrestrained cords, braids, loop chains and wires, which may be hazardous to young children. The following guidelines should always be considered.

- Young children can be strangled by loops in pull cords, chains, tapes and inner cords that operate the product. They can also wrap cords around their necks.
- To avoid strangulation and entanglement, keep cords out of reach of young children.
- Move beds, cots and furniture away from window covering cords.
- Do not tie cords together. Make sure cords do not twist and create a loop.
- Install and use the safety devices according to the installation instructions on these devices to reduce possibility of such an accident.



1 LiteRise®



2 SmartCord® and UltraLift™



3 PowerRise® and motorized operation



4 Softraise



5 Skylight, Nano Blinds and tensioned models

## Luxaflex® solutions

From cordless alternatives to motorized systems, Luxaflex® offers many innovative lifting systems designed with safety, convenience and beauty in mind. Choose from an abundant array of colors and materials that complement your nursery today and your teen's room tomorrow.

### 1 LiteRise®

Eliminate pull cords altogether with the unique LiteRise® system. This cordless push up, pull down system raises and lowers the product with the touch of a finger. LiteRise® helps reduce potential hazards, while also offering more user comfort and a streamlined appearance.

### 2 SmartCord® and UltraLift™

Luxaflex® SmartCord® and UltraLift™ are revolutionary and patented cord lifting systems. They feature a retractable pull cord that maintains a constant length, and allows the user to effortlessly raise and lower the shade. In addition, the SmartCord® system will automatically lower the blind to the preferred position after one simple pull of the cord.

### 3 PowerRise® and motorized operation

A wide variety of Luxaflex® products are offered with motorized options that allow the product to be operated at the touch of a button. The remote control operation or wall switch eliminates operating cords for enhanced child safety and user comfort. Options include wired and battery-powered motorization.

### 4 Softraise

The cordless Luxaflex® Roller Blind Softraise system uses a spring mechanism for easy lifting and lowering.

### 5 Skylight, Nano Blinds and tensioned models

These systems are designed to fit neatly into the frame of your windows, doors and skylights and eliminate the need for free hanging cord loops.

### 6 Quick release cord connectors

Quick release cord connectors are fitted as standard on many Luxaflex® blinds. These connectors break apart and separate when pressure is applied to them.

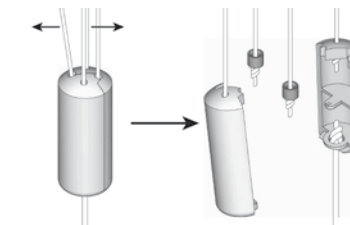
### 7 Crank operation

Many Luxaflex® products are available with a crank system. Our special crank operation integrates both lift and tilt functions into one easy-to-use crank.

### 8 Cord and chain operations

If you prefer a cord or endless chain, safety for your child is increased with extra safety devices. All Luxaflex® products are supplied with a cord or chain safety device.

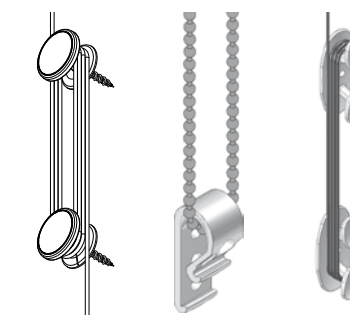
- Cord cleats and tensioners enable any cords or chains to be fastened to the wall - out of the reach of children. A breakaway chain connector makes sure that any loop in the chain will break when an excessive force is pulling on the chain.
- A cord cleat is supplied with every product which has pull cords. Be aware that these need to be installed at a minimum height of 1.5 m from the floor.
- A chain tensioner is supplied with every product which has an operating chain.
- Detailed instructions of how to install the devices in a safe manner are always attached to the blind.
- A warning tag which highlights the dangers to children is attached to every cord or chain operated blind and is also repeated in the installation instructions which come with the product.



6 Quick release cord connectors



7 Crank operation



8 Cord and chain operation

